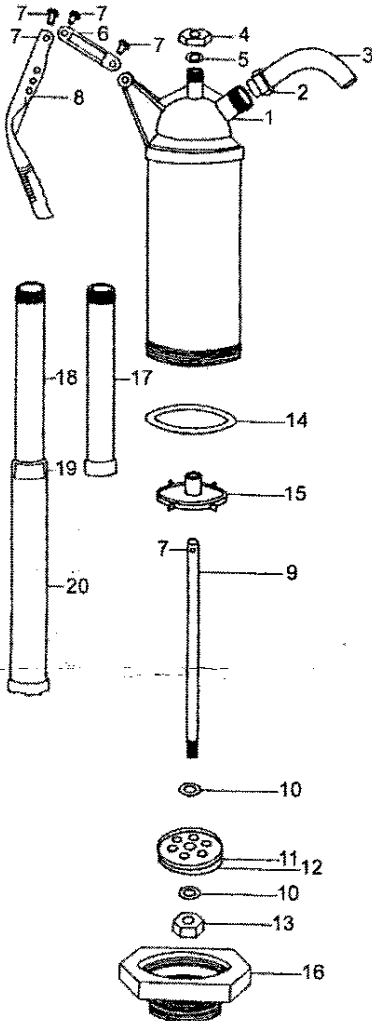


# Operating Instruction

## Hand operated drum pump of PP, Typ JP-02

Yellow pump housing



### 1. Installation of the telescopic suction tube

Firmly screw the middle piece (17) of the suction tube into the female thread of the lower part of the pump body. After that firmly screw the telescopic suction tube (18-20) into the middle piece. Turn the pump tube in one direction to make sure it is tight and sealed.

### 2. Installation and Commissioning

Extend the telescopic suction tube (18-20) to the required length. Fix the pump-handle (8) with 2 screws (7) in the required position. There are 3 possibilities: 0,3 / 0,37 or 0,45 ltr Flow rate each stroke. Fasten the discharge arc (3) with a wing nut (2). At the lower part of the pump body there are 2 drum threads ( G 2" and G 1 1/2"). Connect the pump firmly with the drum. The pump can then be put into operation.

Push handle several times very fast and very strong up and down to build-up water head. A minimum level of 12-15 cm in the container is necessary for the suction process.

If liquid comes out at the top of stainless steel pump shaft (9) please adjust screw (4) until it is tight.

The pump is suitable for most fluid liquids especially for acids, alkaline solutions and water-based chemicals. Please make sure that Polypropylene, Stainless Steel and Viton are resistant against your medium.

**Never use this hand operated pump for flammable liquids and solvents or hazard class AI, AII.**

**Comply to all safety instructions and wear necessary protective clothing (protective, glasses, gloves, apron and possibly boots).**

**Modifications or attempted repairs made by any third party will not be covered by any guarantee. Especially the lower pump housing (number 16 in sectional drawing) is not allowed to be removed.**

JESSBERGER GmbH - Jaegerweg 5 - D - 85521 Ottobrunn  
Tel. +49 (0) 89 - 66 66 33 400 - Fax: +49 (0) 89 - 66 66 33 411  
e-mail: info@jesspumpen.de - www.jesspumpen.de